

BOM LIST			
ITEM	PART NAME	Q'ty	NOTES
1	PLASTIC HOOD	2	ABS
2	2.1 LONG BOLT	2	#4-40
	2.2 SHORT BOLT	2	#4-40
3	NUT	2	M3
4	LONG SCREW	2	M3
5	SMALL WASHER	2	
6	SHORT SCREW	2	M3
7	7.1 METAL WASHER	2	M3
	7.2 PLASTIC-1 WASHER	2	ABS
	7.3 PLASTIC-2 WASHER	2	ABS

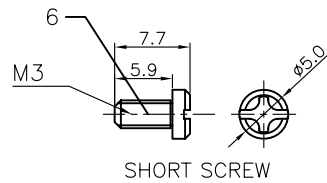
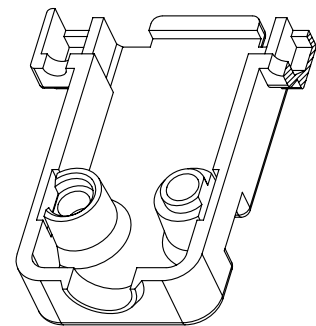
REV.	DESCRIPTION	DRAWN	CHECKED	APPROVED
A	NEW RELEASE	LJH 08/13/05'	~	LJC 08/13/05'
B	整理图画	YCH 09/13/07'	~	LJC 05/20/10'
C	改M3*12的螺钉为M3*10	YCH 08/30/10'	~	

NOTES:

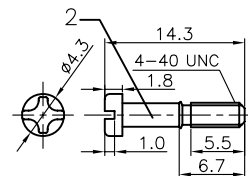
1. PART NUMBER CODE:

DS1046 - 09 X X X X

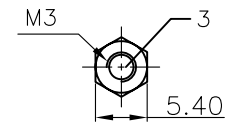
- Washer type
- 1: Metal
- 2: Plastic-1(Lock type)
- 3: Plastic-2(Screw type)
- Bolt type
- L: Long
- S: Short
- Packing type
- 1: Mix packing
- 2: Separation packing
- Cover Material
- C: Chromium plating
- Position
- 09: 9pin



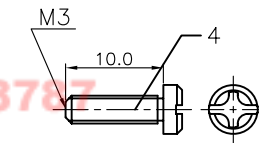
SHORT SCREW



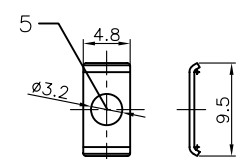
Short BOLT



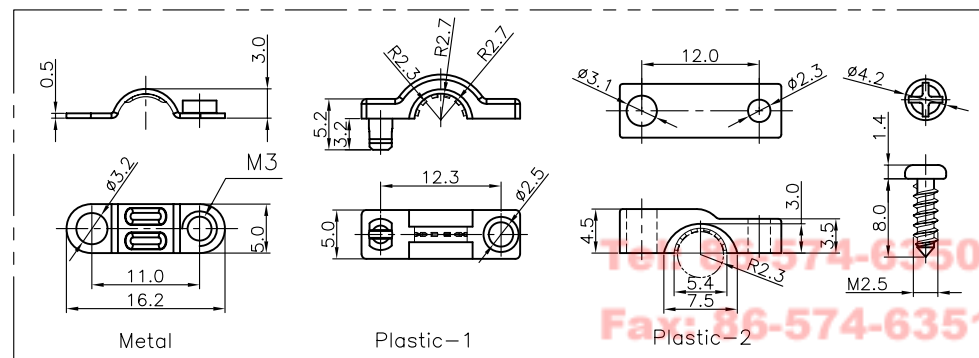
UNT t=2.3mm



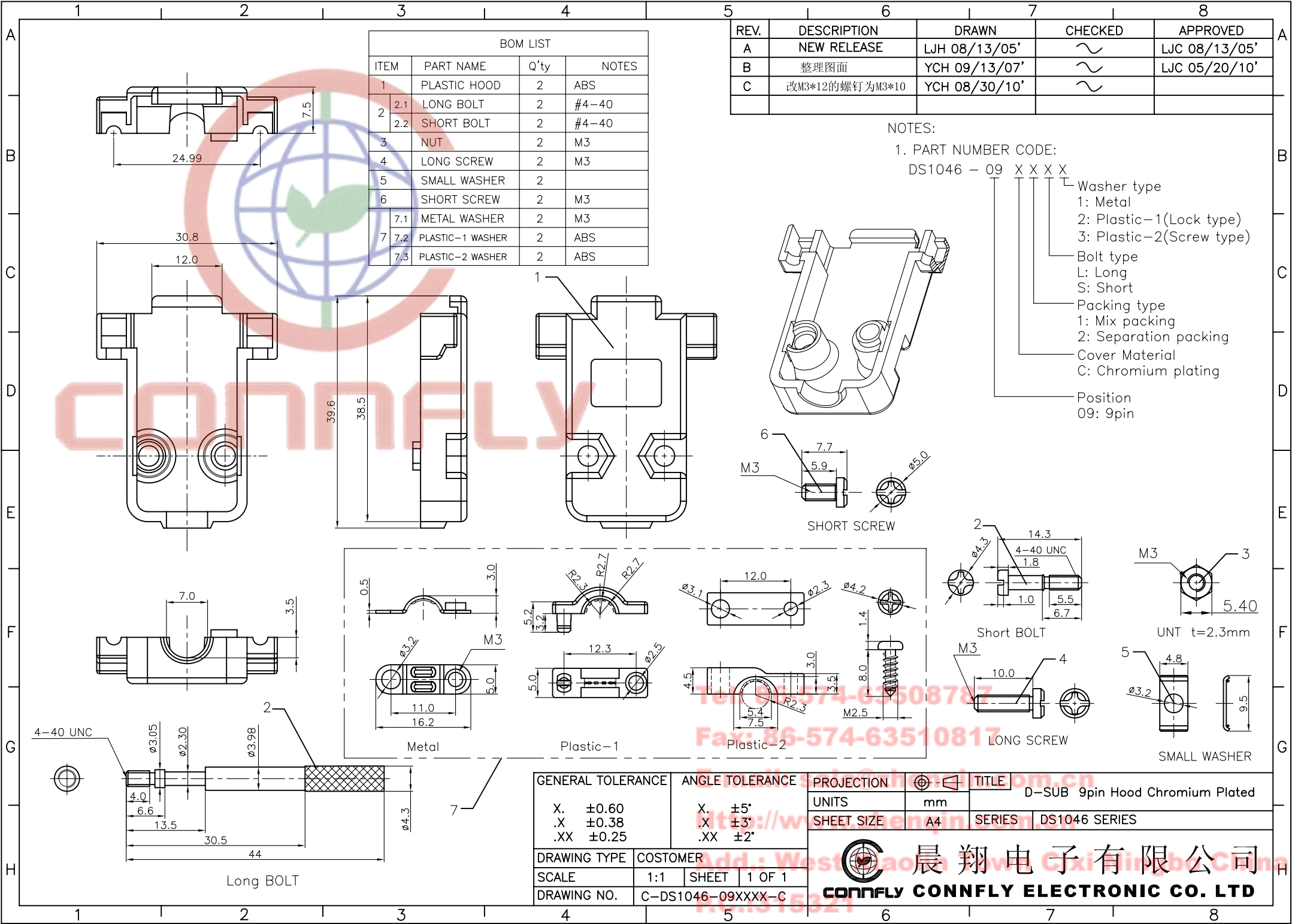
LONG SCREW



SMALL WASHER



GENERAL TOLERANCE		ANGLE TOLERANCE		PROJECTION		TITLE	
X.	±0.60	X.	±5°	UNITS	mm	D-SUB 9pin Hood Chromium Plated	
.X	±0.38	.X	±3°	SHEET SIZE	A4	SERIES	DS1046 SERIES
.XX	±0.25	.XX	±2°	DRAWING NO. C-DS1046-09XXXX-C			
DRAWING TYPE		COSTOMER		晨翔电子有限公司 CONNFLY CONNFLY ELECTRONIC CO. LTD			
SCALE		1:1					
DRAWING NO.		C-DS1046-09XXXX-C					

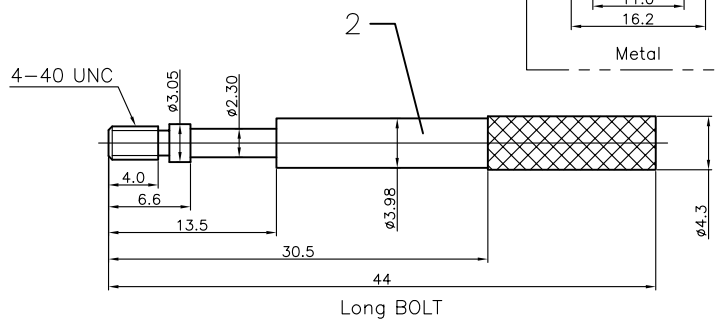
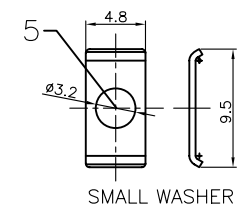
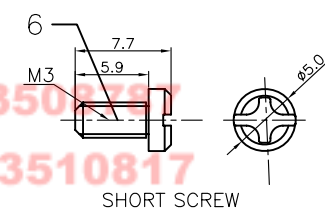
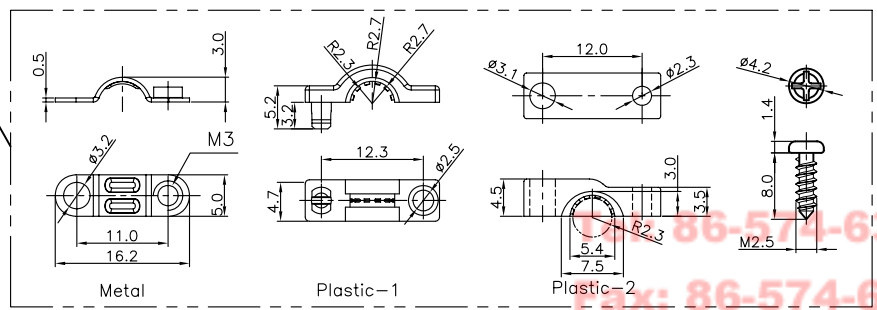
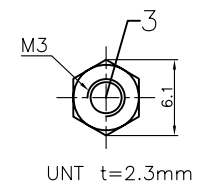
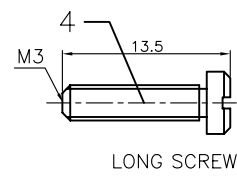
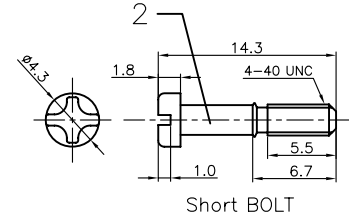
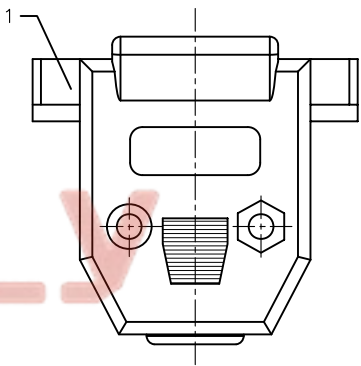
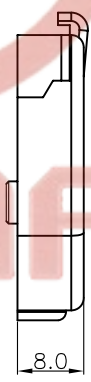
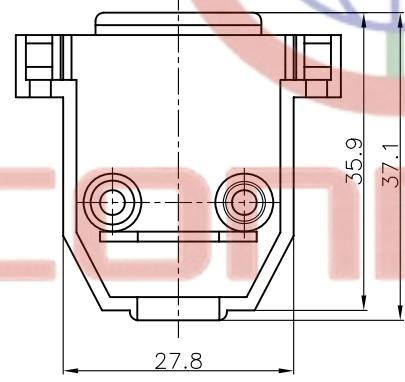
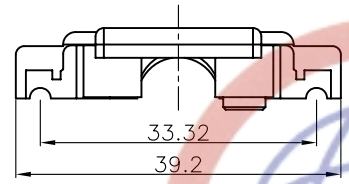
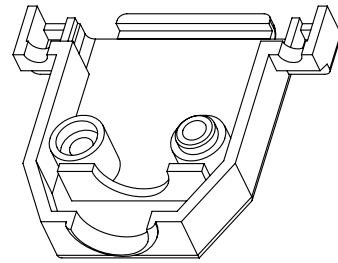


BOM LIST			
ITEM	PART NAME	Q'ty	NOTES
1	PLASTIC HOOD	2	ABS
2	2.1 LONG BOLT	2	#4-40
	2.2 SHORT BOLT	2	#4-40
3	NUT	2	M3
4	LONG SCREW	2	M3
5	SMALL WASHER	2	
6	SHORT SCREW	2	M3
7.1	METAL WASHER	2	M3
7.2	PLASTIC-1 WASHER	2	ABS
7.3	PLASTIC-2 WASHER	2	ABS

REV.	DESCRIPTION	DRAWN	CHECKED	APPROVED
A	NEW RELEASE	LJH 05/18/05'	~	LJC 05/18/05'
B	整理图面	YCH 09/13/07'	~	

NOTES:
 1. PART NUMBER CODE:
 DS1046 - 15 X X X X

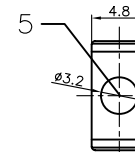
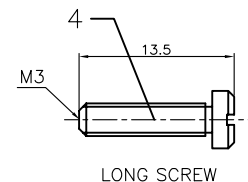
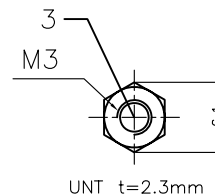
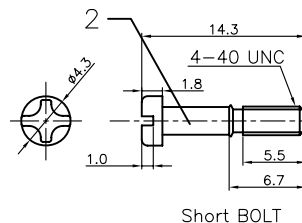
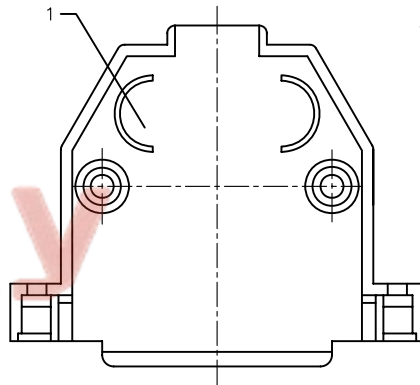
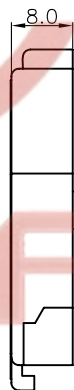
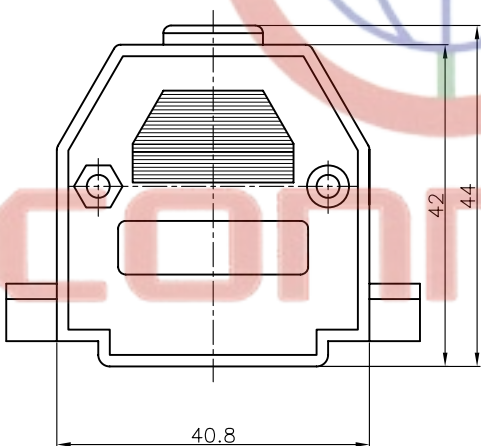
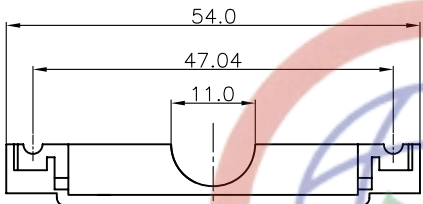
- Washer type
- 1: Metal
- 2: Plastic-1(Lock type)
- 3: Plastic-2(Screw type)
- Bolt type
- L: Long
- S: Short
- Packing type
- 1: Mix packing
- 2: Separation packing
- Cover Material
- C: Chromium plating
- Position
- 15: 15pin



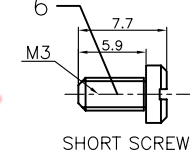
GENERAL TOLERANCE	ANGLE TOLERANCE	PROJECTION	TITLE
X. ±0.60	X. ±5°	UNITS	D-SUB 15pin Hood Chromium Plated
.X ±0.38	.X ±3'	SHEET SIZE	SERIES DS1046 SERIES
.XX ±0.25	.XX ±2'		
DRAWING TYPE	CUSTOMER	晨翔电子有限公司 CONNFLY CONNFLY ELECTRONIC CO. LTD	
SCALE	1:1 SHEET 1 OF 1		
DRAWING NO.	C-DS1046-15XXXX		

BOM LIST			
ITEM	PART NAME	Q'ty	NOTES
1	PLASTIC HOOD	2	ABS
2	2.1 LONG BOLT	2	#4-40
	2.2 SHORT BOLT	2	#4-40
3	NUT	2	M3
4	LONG SCREW	2	M3
5	SMALL WASHER	2	
7	7.1 METAL WASHER	2	M3
	7.2 PLASTIC-1 WASHER	2	ABS
	7.3 PLASTIC-2 WASHER	2	ABS

REV.	DESCRIPTION	DRAWN	CHECKED	APPROVED
A	NEW RELEASE	LJH 10/26/05'	~	LJC 10/26/05'
B	整理图画	YCH 09/13/07'	~	



SMALL WASHER



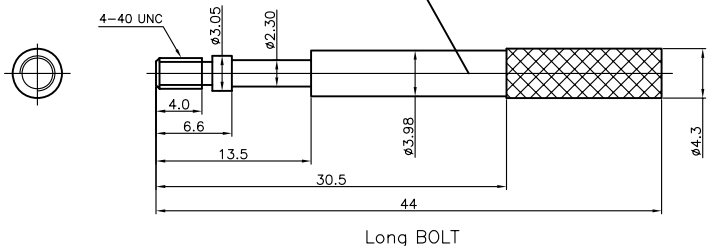
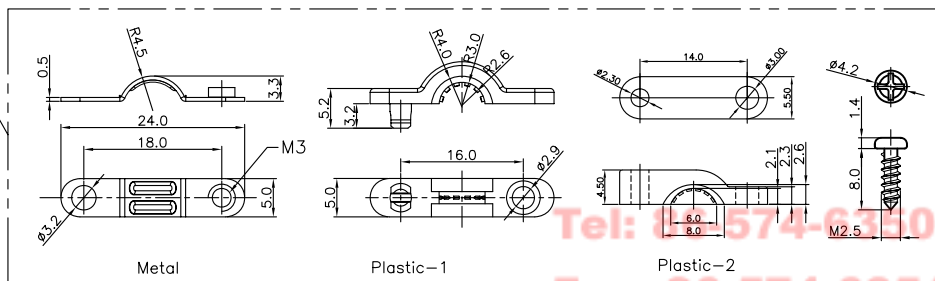
SHORT SCREW

NOTES:

1. PART NUMBER CODE:

DS1046 - 25 X X X X

- Washer type
- 1: Metal
- 2: Plastic-1(Lock type)
- 3: Plastic-2(Screw type)
- Bolt type
- L: Long
- S: Short
- Packing type
- 1: Mix packing
- 2: Separation packing
- Cover Material
- C: Chromium plating
- Position
- 25: 25pin



Long BOLT

GENERAL TOLERANCE

X. ±0.60
.X ±0.38
.XX ±0.25

ANGLE TOLERANCE

X. ±5°
.X ±3°
.XX ±2°

PROJECTION

UNITS

SHEET SIZE

TITLE

SERIES

D-SUB 25pin Hood Chromium plated

DS1046 SERIES

DRAWING TYPE

DRAWING NO.

CUSTOMER

C-DS1046-25XXXX

SCALE 1:1 SHEET 1 OF 1



晨翔电子有限公司

CONNFLY CONNFLY ELECTRONIC CO. LTD

Tel: 86-574-63510817
Fax: 86-574-63510817

BOM LIST			
ITEM	PART NAME	Q'ty	NOTES
1	PLASTIC HOOD	2	ABS
2	LONG BOLT	2	#4-40
	SHORT BOLT	2	#4-40
3	NUT	2	M3
4	LONG SCREW	2	M3
5	SMALL WASHER	2	
6	SHORT SCREW	2	M3
7	METAL WASHER	2	M3
	PLASTIC-1 WASHER	2	ABS
	PLASTIC-2 WASHER	2	ABS

REV.	DESCRIPTION	DRAWN	CHECKED	APPROVED
A	NEW RELEASE	LJH 10/26/05'	~	LJC 10/26/05'
B	整理图面	YCH 09/13/07'	~	

NOTES:
 1. PART NUMBER CODE:
 DS1046 - 37 X X X X

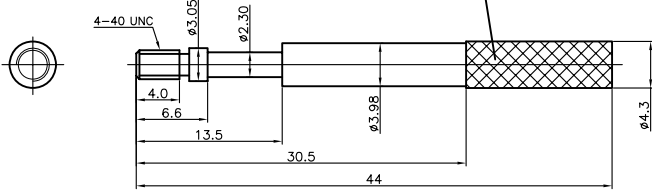
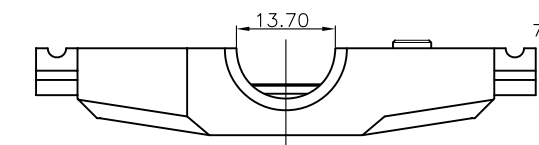
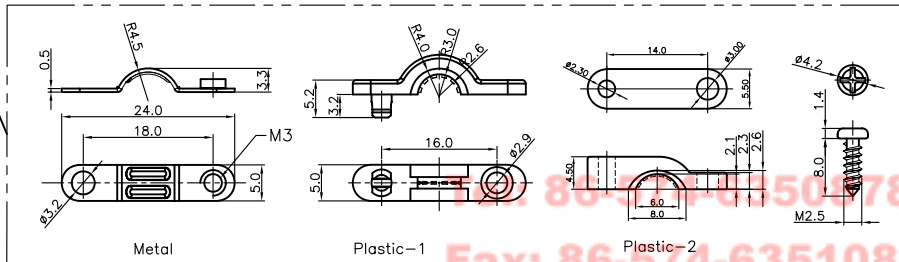
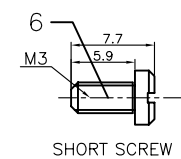
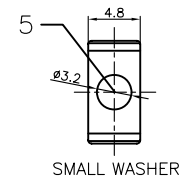
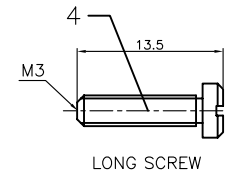
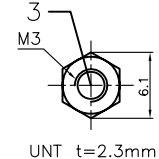
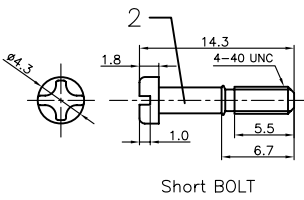
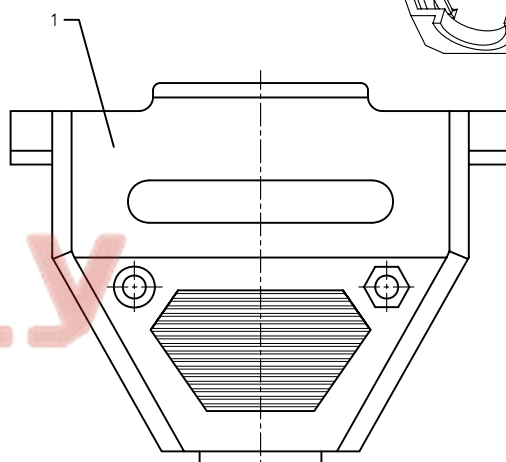
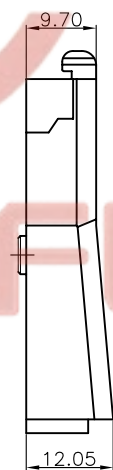
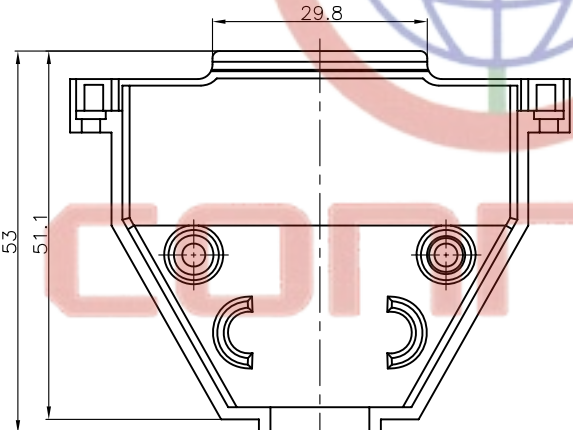
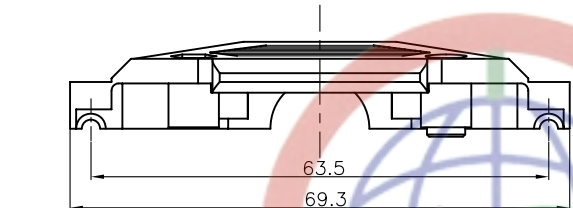
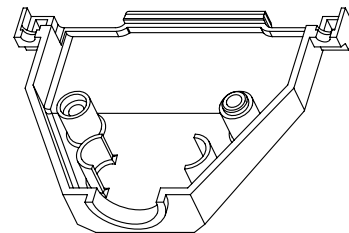
Washer type
 1: Metal
 2: Plastic-1(Lock type)
 3: Plastic-2(Screw type)

Bolt type
 L: Long
 S: Short

Packing type
 1: Mix packing
 2: Separation packing

Cover Material
 C: Chromium plating

Position
 37: 37pin



GENERAL TOLERANCE		ANGLE TOLERANCE		PROJECTION		TITLE	
X.	±0.60	X.	±5°			D-SUB 37pin Hood Chromium plated	
.X	±0.38	.X	±3°	UNITS		mm	
.XX	±0.25	.XX	±2°	SHEET SIZE		A4	
DRAWING TYPE				COSTOMER			
SCALE				1:1			
DRAWING NO.				C-DS1046-37XXXX			
SHEET				1 OF 1			

晨翔电子有限公司
CONNFLY CONNFLY ELECTRONIC CO. LTD